

ÜRÜN ADI / PRODUCT

PCS 6262 E

TARİH / DATE

23.01.2023

DETAY RESİM
DETAIL PICTURE

SAYFA NO: 1 / 4
PAGE NO: 1 / 4

| NO. | AÇIKLAMA | DESCRIPTION | ÜRÜN NO. / ITEM NO | ADET / PCS. |
|-----|----------------------------|------------------------------|--------------------|-------------|
| | | | | |
| 1 | GÖVDE ÜST | UPPER BODY | PCS6262E-01 | 1 |
| 2 | GÖVDE ARKA | REAR BODY | PCS6262E-02 | 1 |
| 3 | ELEKTRİK MONTAJ PANOSU | ELECTRICAL ASSEMBLY PANEL | PCS6262E-03 | 1 |
| 4 | SAĞ YAN KAPAK | RIGHT SIDE COVER | PCS6262E-04 | 1 |
| 5 | REZİSTANS | RESISTANCE | PCS6262E-05 | 4 |
| 6 | DUY | SOCKET | PCS6262E-06 | 1 |
| 7 | LAMBA CAMI | LAMP GLASS | PCS6262E-07 | 1 |
| 8 | AMPUL | BULB | PCS6262E-08 | 1 |
| 9 | GÖVDE ALT | LOWER BODY | PCS6262E-09 | 1 |
| 10 | ÖN ÇERÇEVE | FRONT FRAME | PCS6262E-10 | 1 |
| 11 | SAĞ MENTEŞE | RIGHT HINGE | PCS6262E-11 | 1 |
| 12 | PIŞİRME TAŞI | BAKING STONE | PCS6262E-12 | 1 |
| 13 | ÖN PASLANMAZ | FRONT STAINLESS | PCS6262E-13 | 1 |
| 14 | LOGO ETİKETİ | LOGO LABEL | PCS6262E-14 | 2 |
| 15 | KONTROL PANELİ | CONTROL PANEL | PCS6262E-15 | 1 |
| 16 | CAM ÇİTASI | GLASS HOLDER | PCS6262E-16 | 2 |
| 17 | GÖZETLEME CAMI | SIGHT GLASS | PCS6262E-17 | 1 |
| 18 | KAPAK MENTEŞE RONDELASI | COVER HINGE WASHER | PCS6262E-18 | 2 |
| 19 | KAPAK MENTEŞE VİDASI | COVER HINGE SCREW | PCS6262E-19 | 2 |
| 20 | KAPAK STOPER VİDASI | COVER STOPPER SCREW | PCS6262E-20 | 2 |
| 21 | KAPAK TUTAMAĞI MİLİ | COVER HANDLE SHAFT | PCS6262E-21 | 1 |
| 22 | KAPAK TUTAMAĞI | COVER HANDLE | PCS6262E-22 | 2 |
| 23 | KAPAK TUTAMAĞI CIVATASI | COVER HANDLE SCREW | PCS6262E-23 | 2 |
| 24 | KAPAK YAYI MAKARA VİDASI | COVER SPRING REEL SCREW | PCS6262E-24 | 1 |
| 25 | KAPAK YAYI MAKARASI | COVER SPRING REEL | PCS6262E-25 | 1 |
| 26 | KAPAK YAYI | COVER SPRING | PCS6262E-26 | 1 |
| 27 | BACA TUTAMAĞI | CHIMNEY HANDLE | PCS6262E-27 | 1 |
| 28 | BACA MİLİ YUVASI | CHIMNEY SHAFT SLOT | PCS6262E-28 | 1 |
| 29 | BACA MİLİ | CHIMNEY SHAFT | PCS6262E-29 | 1 |
| 30 | SOL MENTEŞE | LEFT HINGE | PCS6262E-30 | 1 |
| 31 | SOL YAN KAPAK | LEFT SIDE COVER | PCS6262E-31 | 1 |
| 32 | SOL İZOLASYON GİZLEME SACI | LEFT INSULATION HIDING SHEET | PCS6262E-32 | 1 |
| 33 | BACA | CHIMNEY | PCS6262E-33 | 1 |
| 34 | BACA KAPAĞI | CHIMNEY COVER | PCS6262E-34 | 1 |
| 35 | İZOLASYON | INSULATION | PCS6262E-35 | 1 |
| 36 | PIŞİRME KAZANI | BAKING CHAMBER | PCS6262E-36 | 1 |
| 37 | RAKOR | FEEDING CABLE SOCKET | PCS6262E-37 | 1 |
| 38 | BESLEME KABLOSU | POWER CABLE | PCS6262E-38 | 1 |
| 39 | TERMOMETRE | THERMOMETER | PCS6262E-39 | 1 |
| 40 | TERMOSTAT LAMBASI | THERMOSTAT LAMP | PCS6262E-40 | 2 |
| 41 | TERMOSTAT DÜĞMESİ | THERMOSTAT BUTTON | PCS6262E-41 | 2 |
| 42 | LAMBA DÜĞMESİ | LAMP BUTTON | PCS6262E-42 | 1 |
| 43 | PAKO ŞALTER | PACO SWITCH | PCS6262E-43 | 1 |
| 44 | TERMOSTAT | THERMOSTAT | PCS6262E-44 | 2 |
| 45 | FIRIN KAPAĞI | OVEN DOOR | PCS6262E-45 | 1 |
| 46 | | | | |
| 47 | | | | |
| 48 | | | | |
| 49 | | | | |
| 50 | | | | |



ÜRÜN ADI / PRODUCT

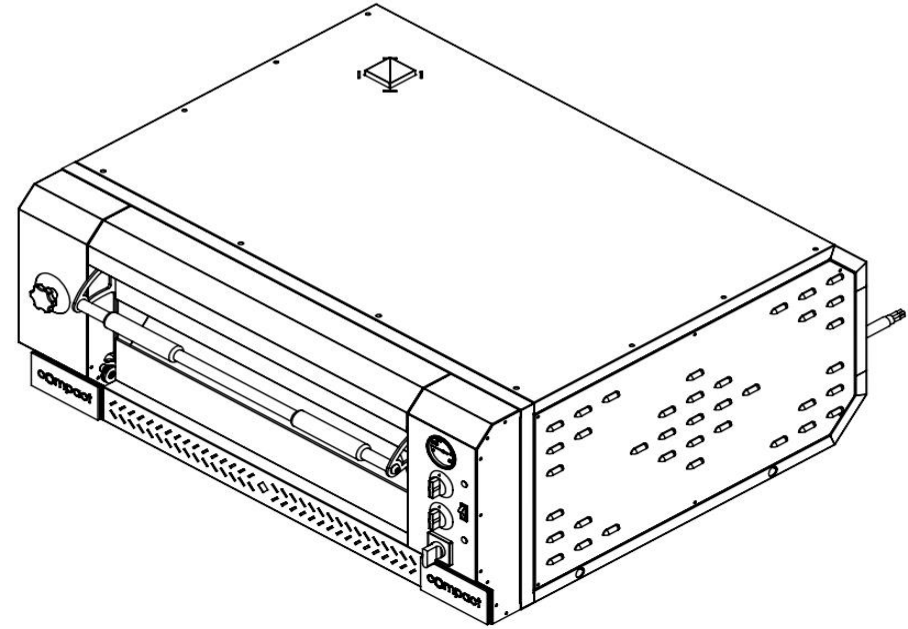
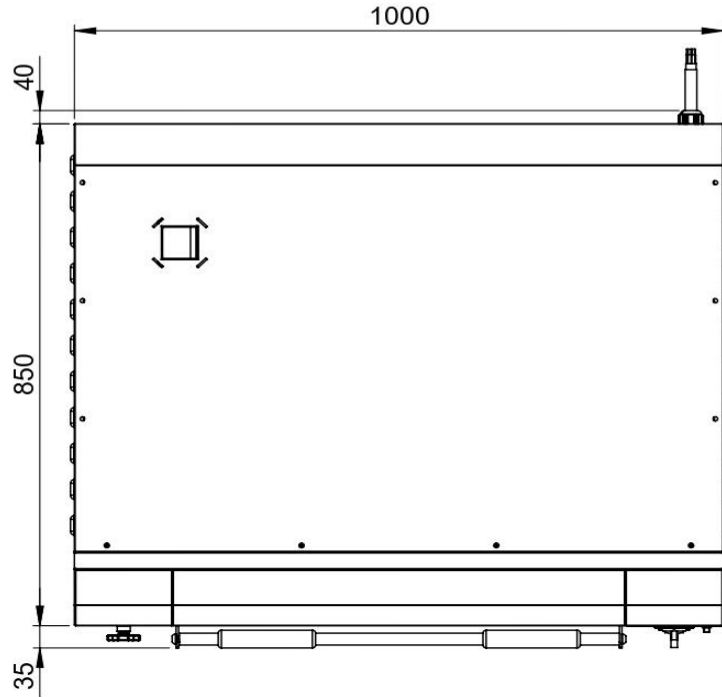
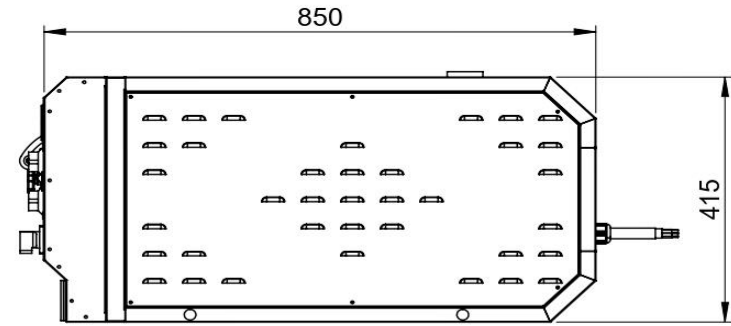
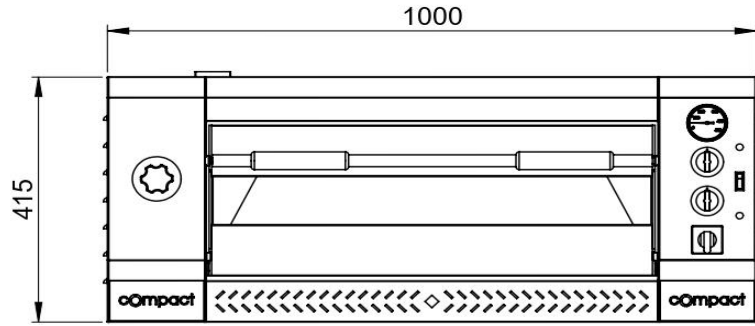
PCS 6262 E

TARİH / DATE

23.01.2023

DETAY RESİM LİSTESİ
DETAIL PICTURE LIST

SAYFA NO: 2 / 4
PAGE NO: 2 / 4



ÜRÜN ADI / PRODUCT

PCS 6262 E

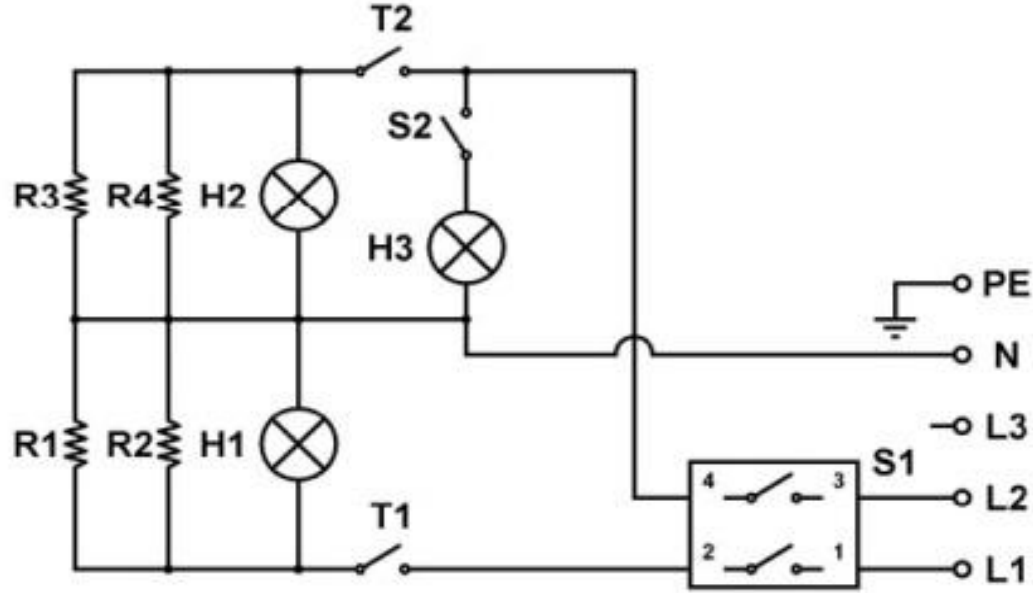
TARİH / DATE

23.01.2023

ÖLÇÜLENDİRME
MEASUREMENTS

SAYFA NO: 3 / 4
PAGE NO: 3 / 4

PCS 62 E PİZZA FIRINI - ELEKTRİK ŞEMASI
PCS 62 E PIZZA OVEN - ELECTRICAL DIAGRAM



| NO | AÇIKLAMA / DESCRIPTION | NO | AÇIKLAMA / DESCRIPTION |
|-------------------|--|---------|---|
| R1 - R2 - R3 - R4 | Rezistans / Resistance (1250 W) | T1 - T2 | Termostat / Thermostat (85 - 455 °C) |
| H1 - H2 | Termostat Kontrol Lambası Thermostat Control Lamp | S1 | İki Fazlı Pako Şalter Two Phase Interruption Switch |
| H3 | İç Aydınlatma Lambası Interior Lighting Lamp (25W) | S2 | Aydınlatma Anahtarı Lighting Switch (T125 16A) |



ÜRÜN ADI / PRODUCT

PCS 6262 E

TARİH / DATE

23.01.2023

ELEKTRİK ŞEMASI
ELECTRICAL DIAGRAM

SAYFA NO: 4 / 4
PAGE NO: 4 / 4